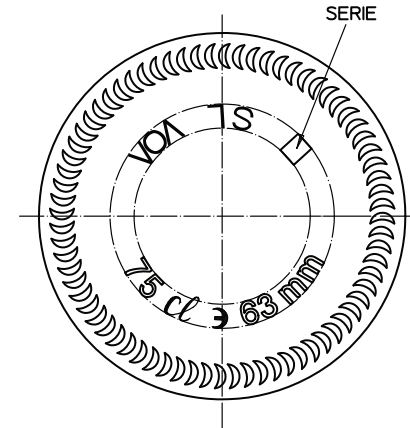
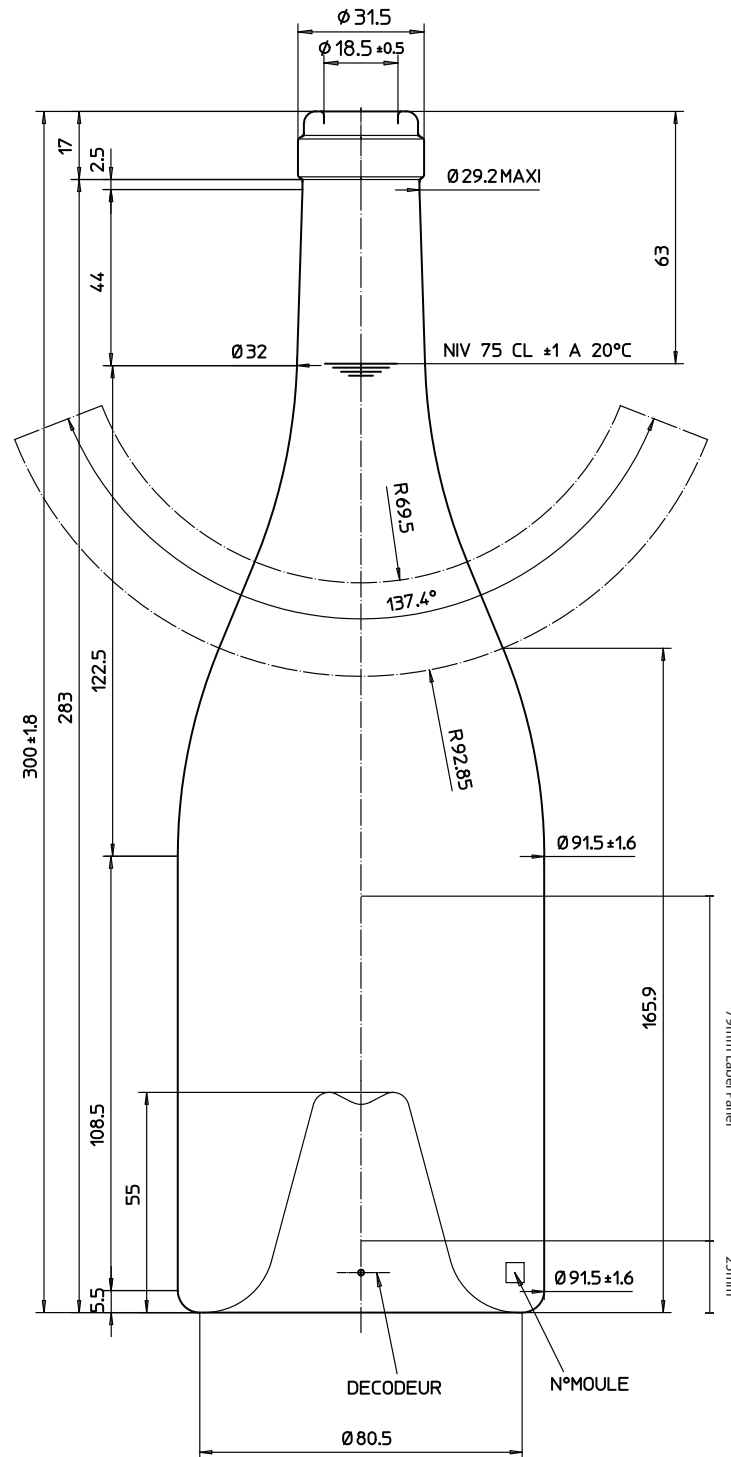


RENAISSANCE BURGUNDY 750mL



CPAK

Suite 39, 14 Narabang Way,
Belrose, NSW, 2085 Australia
Tel: (02) 9479 4777 Mobile: 0404 933 143
PO Box 560, Terrey Hills NSW 2084
Email: sales@cpak.com.au
Web: cpak.com.au



20/11/12	A	L.B.	DIMINUER PIGURE DE 3MM								
DATE	IND	NOM	MODIFICATIONS								
SELECTIVE LINE											
VOA VOA VERRERIE D'ALBI 81011 Albi - FRANCE						BOURG RENAISSANCE 77					
MISE EN PILE / STACKING NON / NO			CETTE BOUTEILLE EST NON REEMPLOYABLE This bottle is not refillable			This drawing is our property. Any reproduction or communication is forbidden without our prior and written approval. TOLERANCES CONFORMES A LA NORME NF H 35-077					
CHOC THERMIQUE SUR CHAINE Thermal Shock Δ T < 42°C			PRESSION VERTICALE AU BOUCHAGE Vertical strength for closure 150 daN Maxi			PRESSION DE CONTROLE Pressure of controle			METHODE Méthod		
Ø CANULE Filling Tube Ø15 MAXI	TYPE BOUCHAGE Closure Type Liège/Cork		ANGLE DE BASCUL. Stability A: 22.2		BOISSON Beverage VIN		T° MAXI PRODUIT Liquid treatment 30°C MAXI	DEGRE D'ALCOOL Degree of alcohol 12° MAXI		CARBONATATION Carbonatation 1.2 gr/l MAXI	
Poids approximatif / Glass weight: 900 Grs Contenance R.B. / Brimfull capacity: 77 Cl env Bague / Finish: CARREE HDG / 919						Dessiné:	ALBI le:	Vérfié:	Echelle:	PROJET	INDICE
						G.GASC	06/12/12		1/1	77224	A