

# ANGELA

## PRODUCT DATA

<b>ANTIQUÉ GREEN</b>	GY192180
<b>FINISH</b>	CORK
<b>CAPSULE</b>	31.5 x 55/66 OR AS RECOMMENDED BY YOUR BOTTLING LINE
<b>CAPACITY</b>	750mL
<b>WEIGHT</b>	820g ± 25g
<b>BRIM FULL CAPACITY</b>	770mL ± 10mL
<b>THERMAL SHOCK</b>	42°C
<b>IMPACT RESISTANCE</b>	0.8J

## CONFIGURATION

### PALLET SIZE

#### 3 layers

1200mm (W) × 1000mm (D) × 1102mm (H)

#### 4 layers

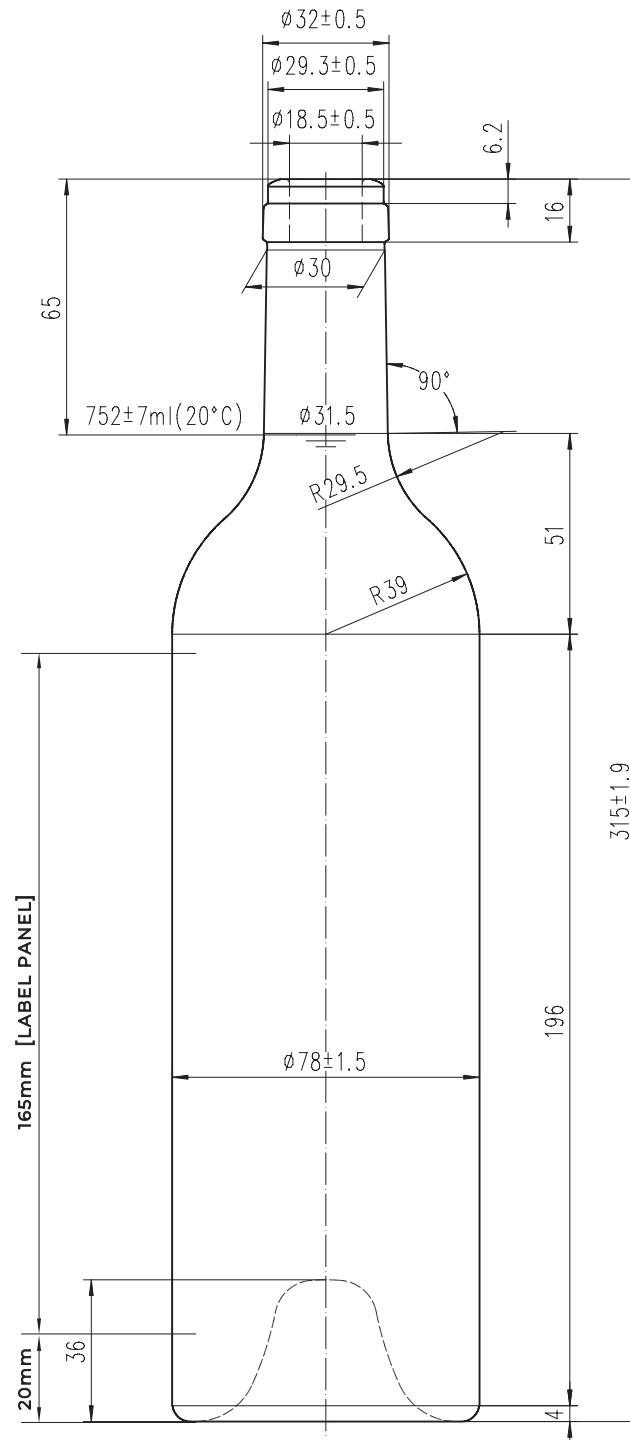
1200mm (W) × 1000mm (D) × 1420mm (H)

### QUANTITY

540 units (3 layers x 180 units per layer)

720 units (4 layers x 180 units per layer)

Packed in double-bagged pallets,  
with individual dividers.



# ANGELA CORK



ANTIQUÉ GREEN

# CPAK

Suite 39, 14 Narabang Way,  
Belrose, NSW, 2085 Australia  
Tel: (02) 9479 4777 Mobile: 0404 933 143  
PO Box 560, Terrey Hills NSW 2084  
Email: sales@cpak.com.au  
Web: cpak.com.au